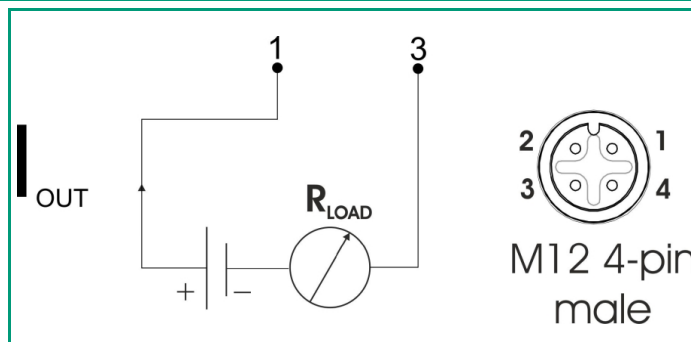
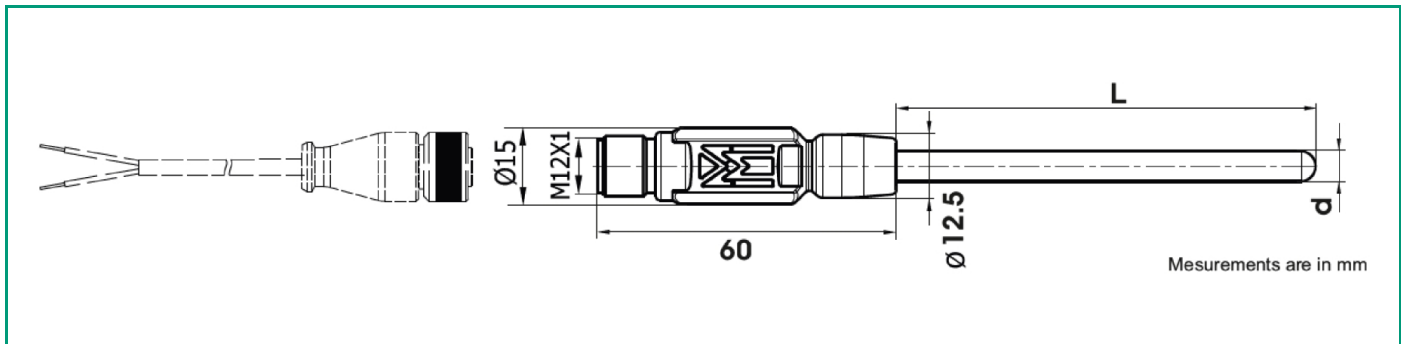


EvominiX I

4÷20mA programmable temperature transmitter with mineral insulated probe

PC-configurable temperature transmitter with mineral insulated probe (MgO). It comes in a overmolded IP67 casing with M12 output connection. This device can be a reliable alternative to common assemblies with connection head.



TECHNICAL SPECIFICATION

Electronic board operating temperature	-40 ÷85°C
Operating humidity	0 ÷100%
Power supply	5.5 ÷32 Vdc (polarity protected)
Input/Output insulation	None
Electronic board input	RTD Pt100/Pt1000 ($\alpha= 0,00385$) 2, 3 o 4 wire connection
Sensor input signal filter (*) (*) time to reach 90% of signal	Configurable from 0.4 to 9.4 seconds
Sensor exciting current	~100 uA
Sensor wire maximum resistance	Max 20 ohm/wire
Signal	4÷20 mA 20÷4 mA
Permitted load	840Ω @ 24 Vdc [Rload= (Vsupply. - 5.5) / 0.022]
Sensor break or short-circuit monitoring	According to NAMUR NE43, selectable between: Upper scale (> 21.0 mA) Lower scale (< 3,6 mA)
Accuracy (*) (*) @25°C	Maximum value between ±0.1K and ±0.1% of span
Temperature influence (*) (*) deviation from 20°C	Maximum value between ±0,3°C/25°C and ±0,3% of span/25°C
Long-term stability	Maximum 0.1% of span per year
Linear error	Negligible
EMC	In accordance to EN 61326-1:2013 (CE) In accordance to BS EN 61326-1:2013 (UKCA)
Range configurations	It is possible set the device by EVOMINI SET configuration kit (it is needed a PC with OS Windows).
Minimum span	20°C
Sensor error compensation	(±5°C) over two points
Measurement range	-50 ÷500°C
International protection marking (*) (*) According to IEC 60529	IP67
Connection body material	THERMOPLASTIC
Sheet material	AISI 316L
Stem length L	150 mm Other lenghts availabloe on request
Sheath diameter d	Ø 6 mm Ø 3 mm
M.I.C. min. bending radius	3 times the outer diameter (except the sensing tip which length is ~30 mm)
Type of connector	male 4-pin connector with M12x1 metal screw lock (in accordance with IEC 61076-2-101 STANDARDS)
Pt100 sensor accuracy	Class A up to 300°C according to IEC 751
Response time	<3.5s for diameter 3mm, <13s for diameter 6mm (according to IEC 751)
Factory default	Range (0÷150)°C (4÷20)mA output Sensor break >21mA Sensor short-circuit <3.6mA
Option	On request adjustment on 1 or 2 points Extension cable in TPE with overmolded M12 connector (IP67). Available cable lengths: (3, 8 or 12)m (others on request)
Weight	14g (L=100mm e Ø=3mm) 28g (L=100mm e Ø=6mm)

ORDER CODES

EVOXI#		X						XX
Output		Min. range	Max range	Probe break	S/C probe	Diameter d (mm)		Length
4÷20mA	M	0 000	+150 150	Out 21mA	Out 3,6mA	Ø3	-3--	100 0100
0÷20mA	I	* Other range on request Ex. negative value		Out 3,6mA	Out 21mA	Ø6	-6--	150 0150
		-20	M20					250 0250
								350 0350
								500 0500
								750 0750
								1000 1000

L = (mm)