

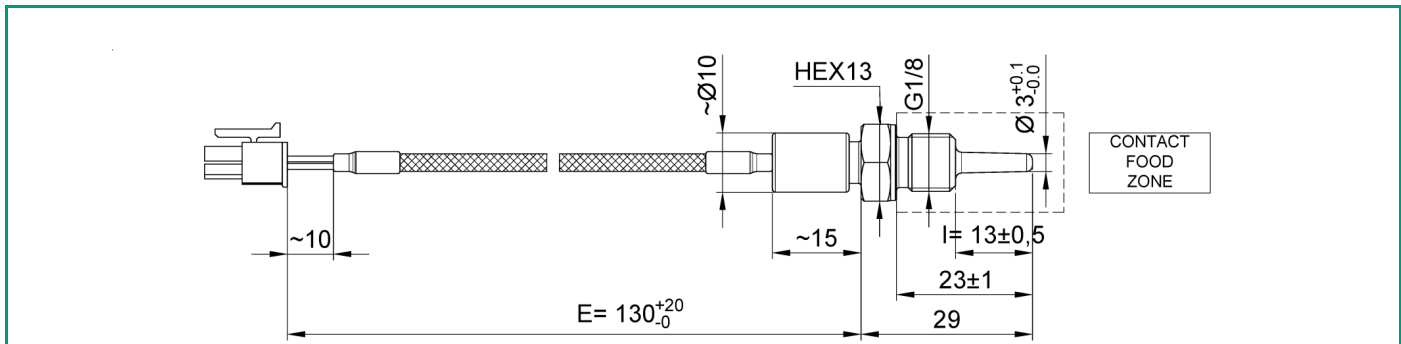
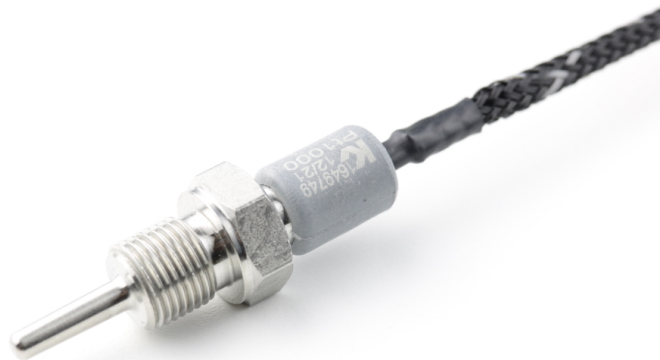
D045002C

Rev. 0 - 10/06/2022

Pt 1000 COMPACT RTD 1/8 G WITH INTEGRATED CABLE

Compact RTD probe with integrated cable

- RTD probe Pt 1000 Cl. A
- thermowell AISI 316L threaded 1/8 G
- outgoing unipolar cables
- Molex µFit 43025-0200 connector termination



TECHNICAL SPECIFICATION

Sensing element	Pt1000 Ω @ 0°C
Accuracy class in accordance to IEC751 (*) (*) Pt 100 cl.A only available with 3 or 4 wires, cl.AA 4 wires only; Pt 1000 cl. A available with 2 wires only for cable lengths below 1 m, for longer cables only available with 3 or 4 wires, cl. AA 3 wires for cable lengths below 1 m, for longer cables only 4 wires.	cl. A
Sensing Element configuration	single 2-wire
Sensing element operating temperature range	-50 ÷ 150°C
Sensing part maximum working temperature	180°C
Sheet material	AISI 316L
Product type	Mechanical Accessory
Accessory type	thermowell
Thermowell construction	monolithic
Thermowell rod shape	tapered conic
Maximum thermowell stem diameter	Ø 3,5 mm
Minimum thermowell stem diameter	Ø 3 mm
Internal thermowell stem diameter	Ø 2,5 mm
Fixing system	threaded connection
Process Connection	threaded 1/8" GAS CIL. acc. UNI-ISO 228
Immersion l	13 mm
Sheet material	AISI 316L
Thermowell connection interface	pre setted ring for moulding
Insulation resistance	100 M Ω @ 100 Vdc.
Cable working temperature	-60 ÷ 240°C
Cable conductors	copper tinned
Number of cable conductors	unipolar
Conductor dimension	AWG 24
Conductor feature	strand (7 wire)
Primary insulation	MFA
Primary insulation colour	white
Cable size or external shape	about Ø 1,05 mm
Transition sleeve type	MOULDED thermoplastic round sleeve
Maximum transition temperature	125°C
Cable extension E	130 mm
Connection body material	POLYAMYDE (MOULDED)
Fixing system	threaded connection
Process connection (*) (*) Thread STANDARDS (CYL. GAS in accordance with UNI-ISO 228) (CON. GAS in accordance with UNI-ISO 7-1) (NPT in accordance with ANSI B 1.20.1)	1/8" GAS CIL. sec. UNI-ISO 228
Pin carrier type	MOLEX connector a 2 ways F dual-row Type: Micro-fit - Series: 43025 - Step: 3.00, Mat.: Polyammide 94V-0, Color: Black, Cod. Molex: 43025-0200
Seamed pin type	Molex Microfit female to be crimped 43030-0001
International protection marking (*) (*) According to IEC 60529	IP65
FCM Prescriptions	Before the use is required to wash the food contact areas
Contact food type	ACQUA/VAPORE
Type of contact	short and frequently continuous
Contact food temperature range	0 ÷ 130°C
Notes for FCM	la SONDA è idonea al contatto con ACQUA e VAPORE fino a 130°C