

**N040004B**

Rev. 0 - 10/06/2022

## WATER WAND COMPLETE WITH FIXED CONNECTION M20x1,5

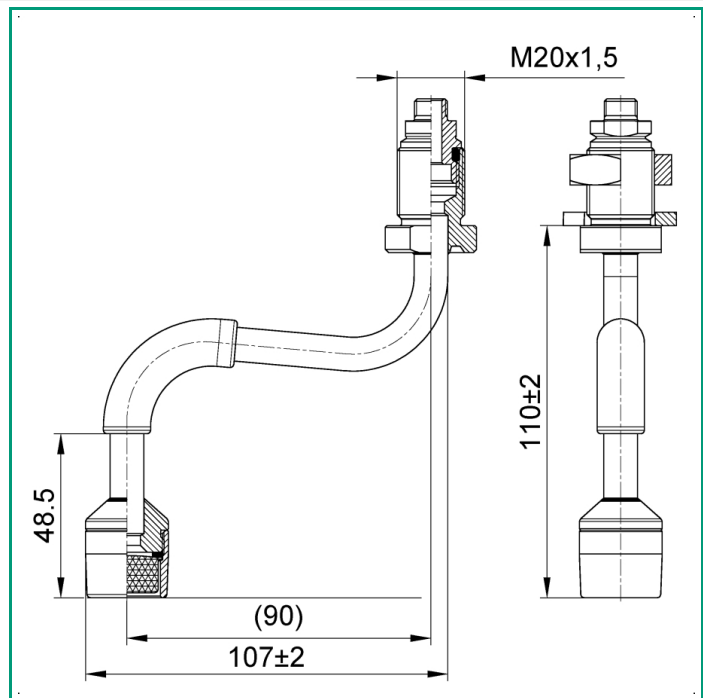
### WATER WAND

-threaded connection for tap M20x1.5 M in AISI 316L

-tube Ø 10 mm AISI 304

-support in AISI 316L with diffuser

Materials used in compliance with the application and reference standards for food contact



### TECHNICAL SPECIFICATION

Spherical articulated joint	AISI 316L
Threaded process connection (*) (*) Thread STANDARDS (CYL. GAS in accordance with UNI-ISO 228) (CON. GAS in accordance with UNI-ISO 7-1) (NPT in accordance with ANSI B 1.20.1)	- process M20x1.5
wand tube	Ø 10 mm
tube material	AISI 304L
anti scorching rubber	overmoulded
Diffuser stand	AISI 316L
Fixing system	threaded connection
FCM Prescriptions	Before the use is required to wash the food contact areas
Contact food type	ACQUA
Type of contact	short and frequently
Contact food temperature range	0 ÷ 100°C
Notes for FCM	la LANCIA ACQUA è idonea al contatto con ACQUA fino a 100°C (se presente aeratore plastico sino a 70°C)