

L037009B

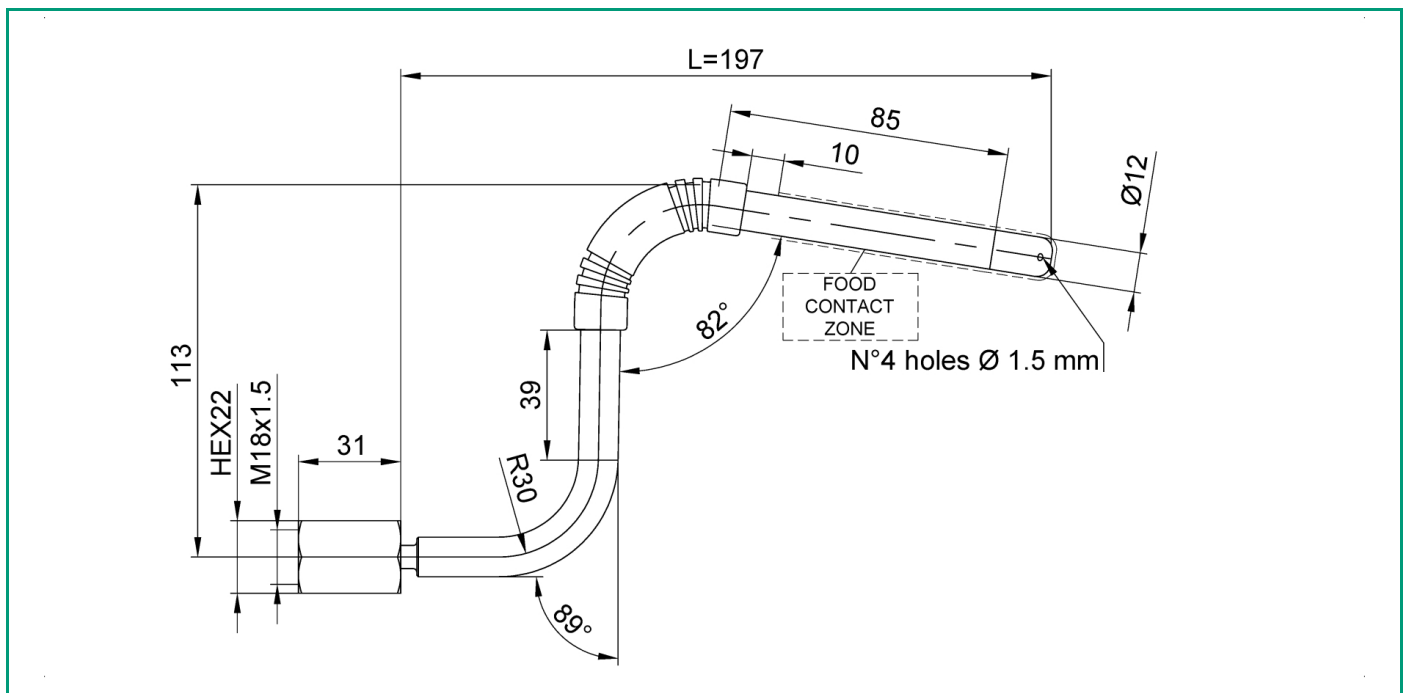
Rev. 0 - 10/06/2022

U-CAN TOUCH STEAM WAND

U-CAN TOUCH STEAM TUBE

- cap M18x1.5 AISI 303
- tube \varnothing 12 mm AISI 304
- 4-hole PEEK spigot \varnothing 1.5 mm

Materials used in compliance with the application and reference standards for contact with foodstuffs



TECHNICAL SPECIFICATION

Spherical articulated joint	AISI 303
Threaded process connection (*) (* Thread STANDARDS (CYL. GAS in accordance with UNI-ISO 228) (CON. GAS in accordance with UNI-ISO 7-1) (NPT in accordance with ANSI B 1.20.1)	M18x1,5
wand tube	Ø 12 mm
tube material	AISI 304
Sheath length L	197 mm
terminal bulb (aerator)	PEEK
Blow-out cap diameter:	Ø12
Blow-out cap holes number:	4
Blow-out cap holes diameter:	Ø1,5 mm
anti scorching rubber	manually mounted
Contact food type	LATTE ACQUA/VAPORE
FCM Prescriptions	Before the use is required to wash the food contact areas
FCM Prescriptions	Before the use is required to wash the food contact areas
Contact food type	LATTE ACQUA/VAPORE
Type of contact	short and frequently
Notes for FCM	la LANCIA è idonea al contatto con ACQUA/VAPORE a 130°C e LATTE a 70°C