

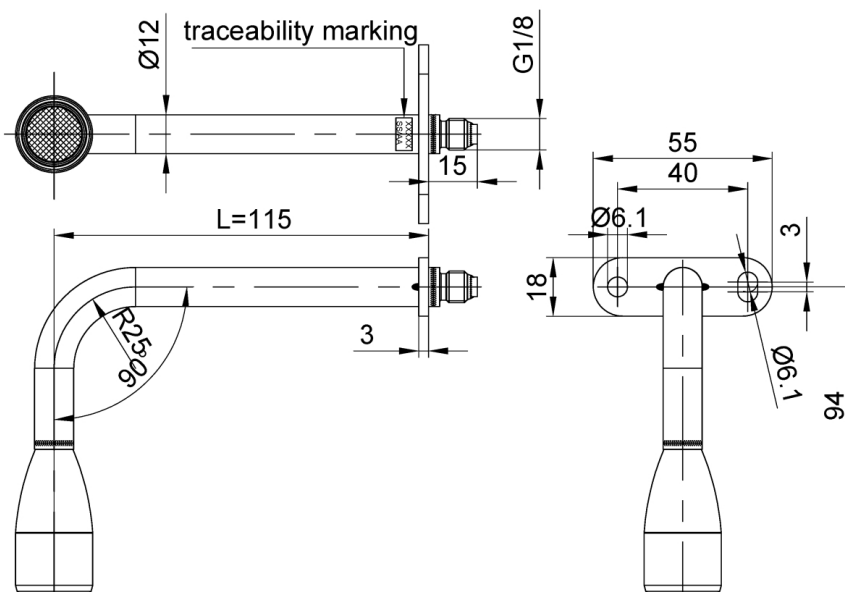
**D045012A**

Rev. 0 - 10/06/2022

## U-CAN TOUCH STAINLESS STEEL WATER TUBE WITH 90° BENDING

### WATER TUBE

- threaded connection G 1/8 AISI 303
- fixing flange with 2 holes AISI 304
- pipe  $\varnothing$  12 mm AISI 304
- water aerator AISI 304+OTTONE CW508L



## TECHNICAL SPECIFICATION

wand tube	Ø 12 mm
tube material	AISI 304
Threaded process connection (*) (* Thread STANDARDS (CYL. GAS in accordance with UNI-ISO 228) (CON. GAS in accordance with UNI-ISO 7-1) (NPT in accordance with ANSI B 1.20.1)	1/8" GAS CIL.
Process connection material	AISI 303
Sheath length L	115 mm
Fixing system	threaded connection fixing flange
Contact food type	ACQUA/VAPORE
FCM Prescriptions	Before the use is required to wash the food contact areas
FCM Prescriptions	Before the use is required to wash the food contact areas
Contact food type	ACQUA
Type of contact	short and frequently
Contact food temperature range	0 ÷100°C
Notes for FCM	la LANCIA ACQUA è idonea al contatto con ACQUA fino a 100°C (se presente aeratore plastico sino a 70°C)