

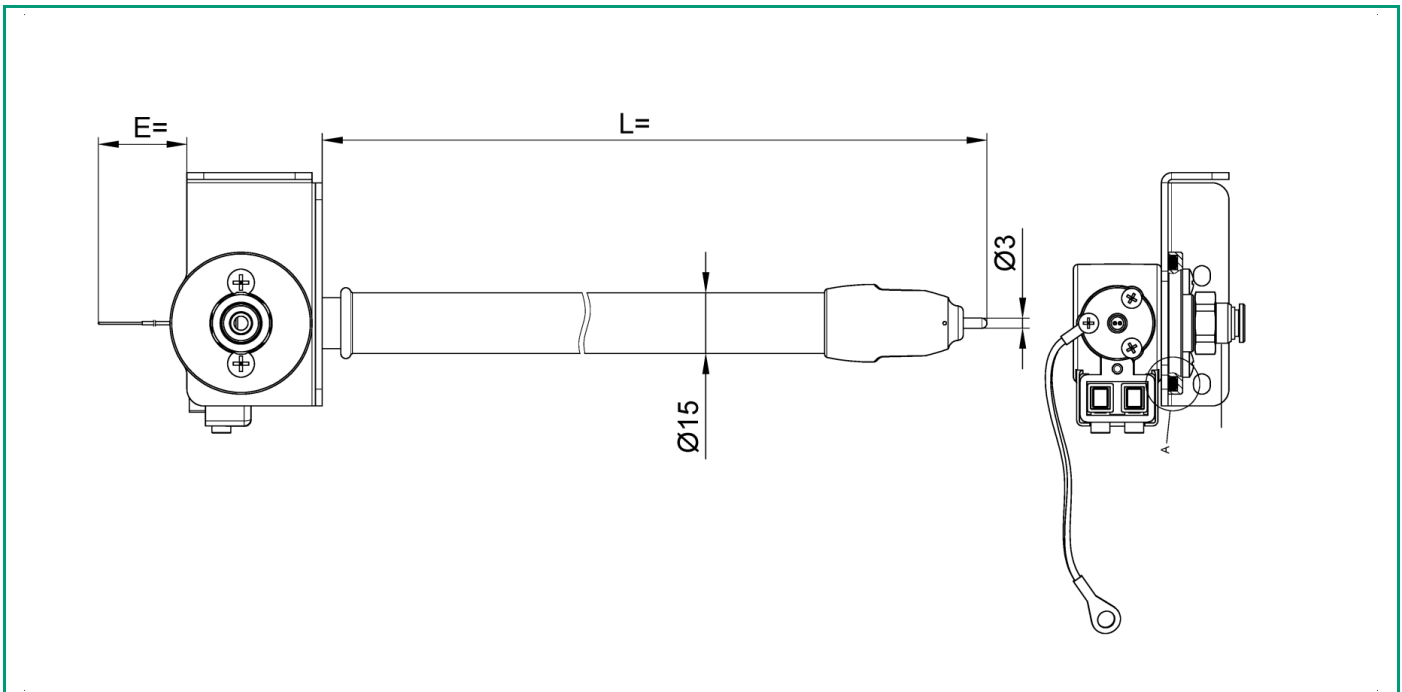
C091065D

Rev. 0 - 10/06/2022

TURBOSTEAM COLD TOUCH ASSEMBLED WAND

- AISI 303 end cap
- SPRINKLER with 4 holes \varnothing 1 mm
- AISI 304 wand tube \varnothing 15 mm
- integrated single "K" type thermocouple sensing element (\varnothing 3 mm)
- stripped wire termination

Materials used in compliance with the application and reference standards for contact with foodstuffs



TECHNICAL SPECIFICATION

Spherical articulated joint	AISI 303
wand tube	Ø 15 mm
Sheath length L	256,5 mm
tube material	AISI 304
terminal bulb (aerator)	PEEK
Blow-out cap holes number:	da specificare 4
Blow-out cap holes diameter:	Ø1 mm
Blow-out cap diameter:	Ø 23 mm
Sphere support with rotation limit:	Yes
Thermocouple calibration	type K (cromel-alumel)
Hot measuring joint	insulated
Sheath diameter d	Ø 3 mm
Sheet material	AISI 304
Number of sensing elements (T/C) (*) (*) Number Elements (T/C) asterisco	single
Sensing part maximum working temperature	800°C
Insulation resistance	500 M Ω@ 100 Vdc.
Cable type	unipolari K IEC 24 AWG isolati in ETFE
Cable extension E	cable E=50 mm
Fixing system	bare stem
FCM Prescriptions	Before the use is required to wash the food contact areas
Contact food type	ACQUA
Type of contact	short and frequently
Contact food temperature range	0 ÷100°C
Notes for FCM	la LANCIA ACQUA è idonea al contatto con ACQUA fino a 100°C (se presente aeratore plastico sino a 70°C)